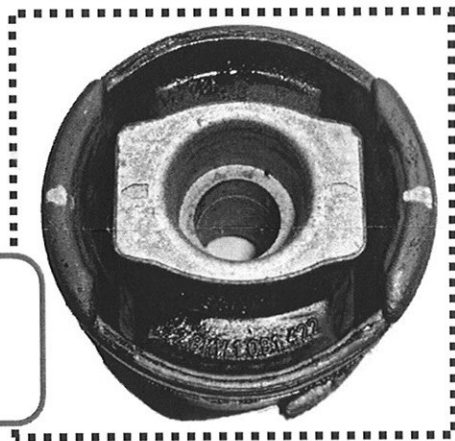
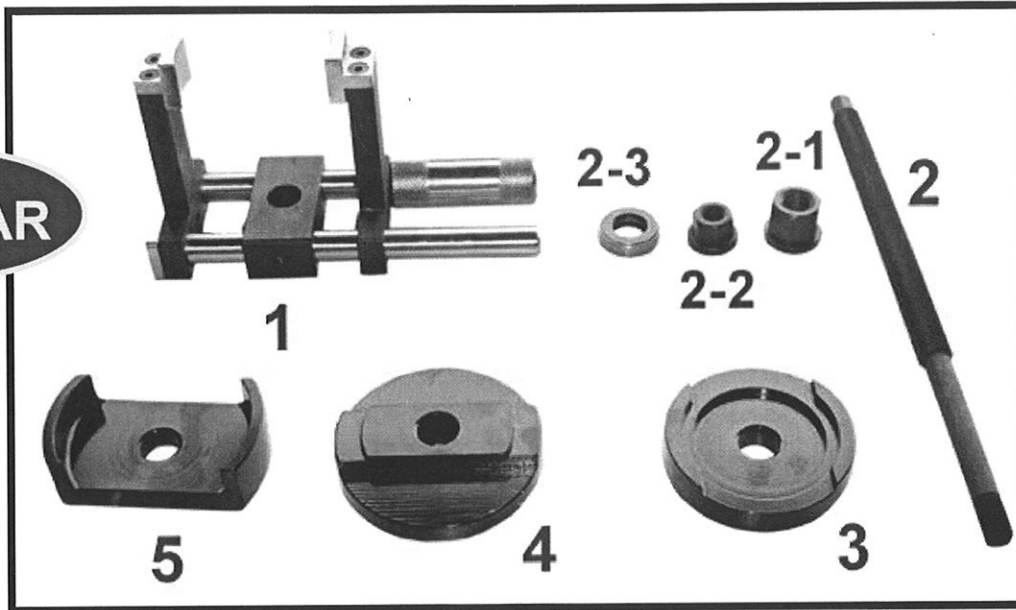


JTC-4096

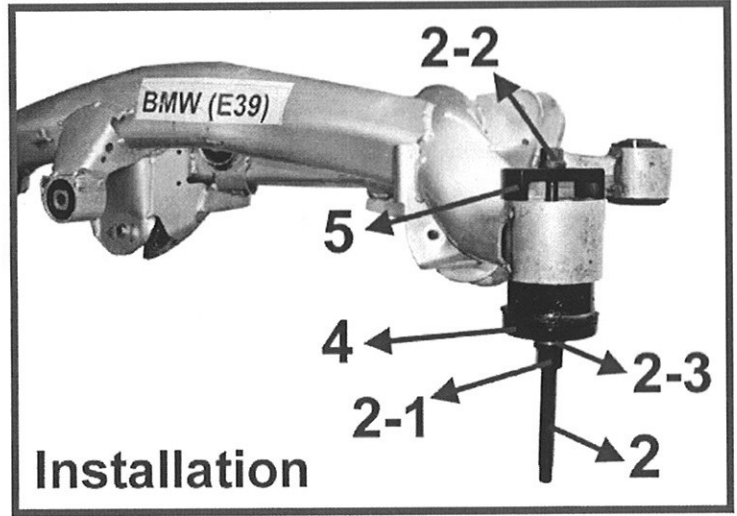
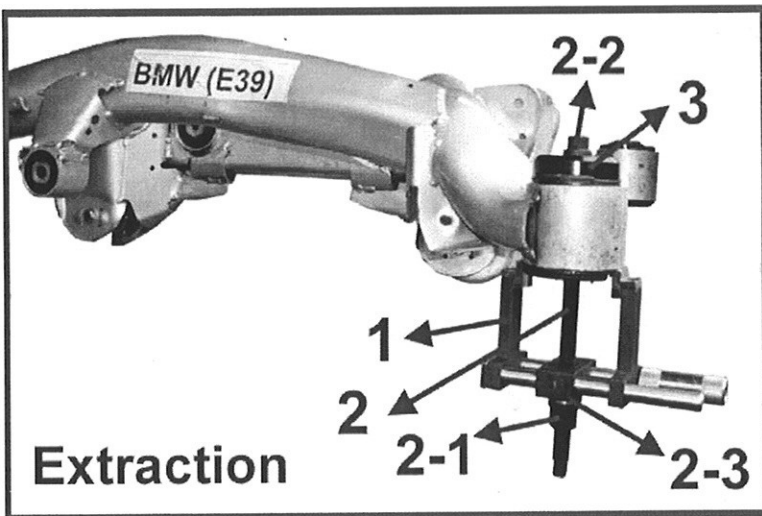
BMW (E39) 後工字樑鐵套拆裝工具組

ON CAR



Part No.	Description	Q'ty
1	Extraction Fixed Base	1
2	Bolt (M12*P1.75, M16*P2.0)	1
2-1	Nut (M16*P2.0)	1
2-2	Nut (M12*P1.75)	1
2-3	Bearing (#51103)	1
3	Extraction Pressure Piece	1
4	Installation Pressure Piece	1
5	Installation Fixed Base	1

Genuine stock No.: 132441



- On car maintenance.
- This kit contains the tools necessary to remove and install the rear axle carrier mount bushings on BMW E39 models.